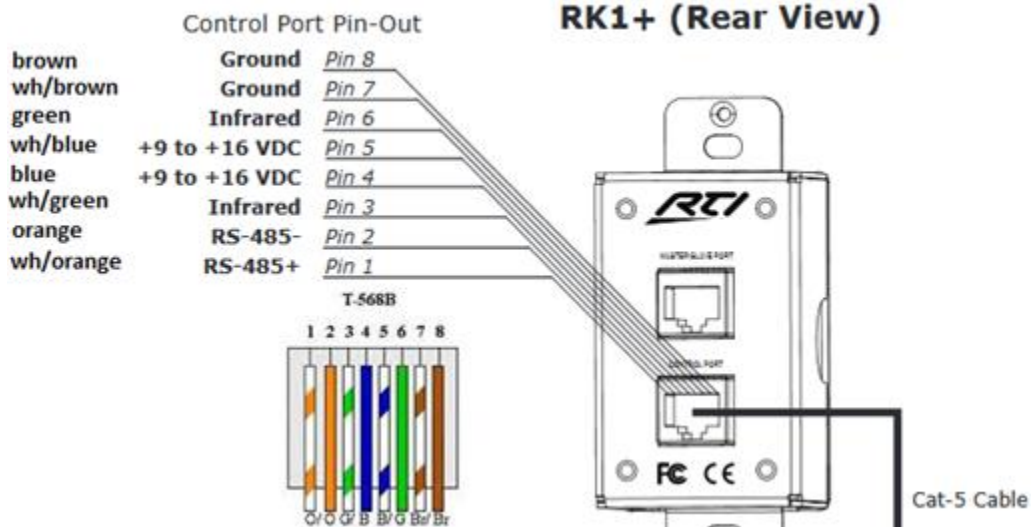
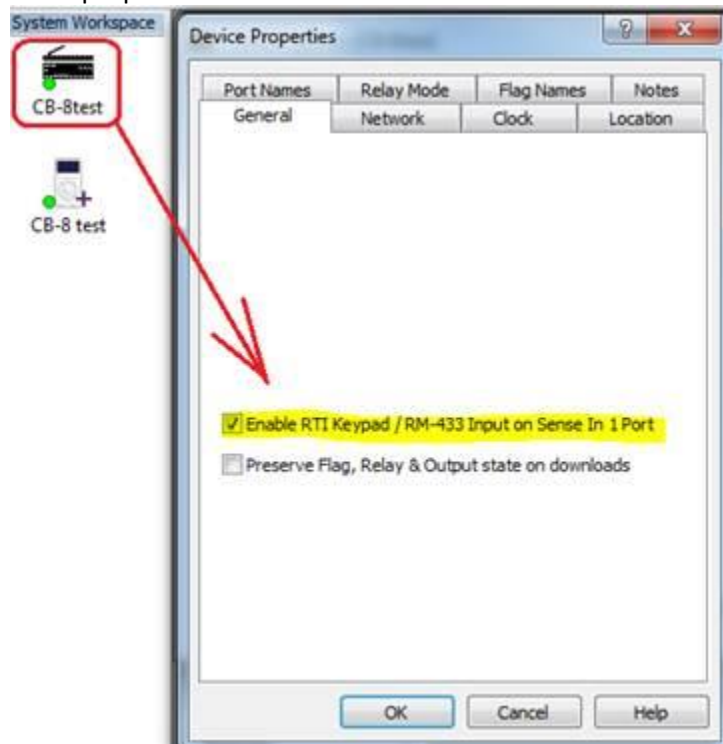


Keypad(s) to XP-3 for One Way Communication:

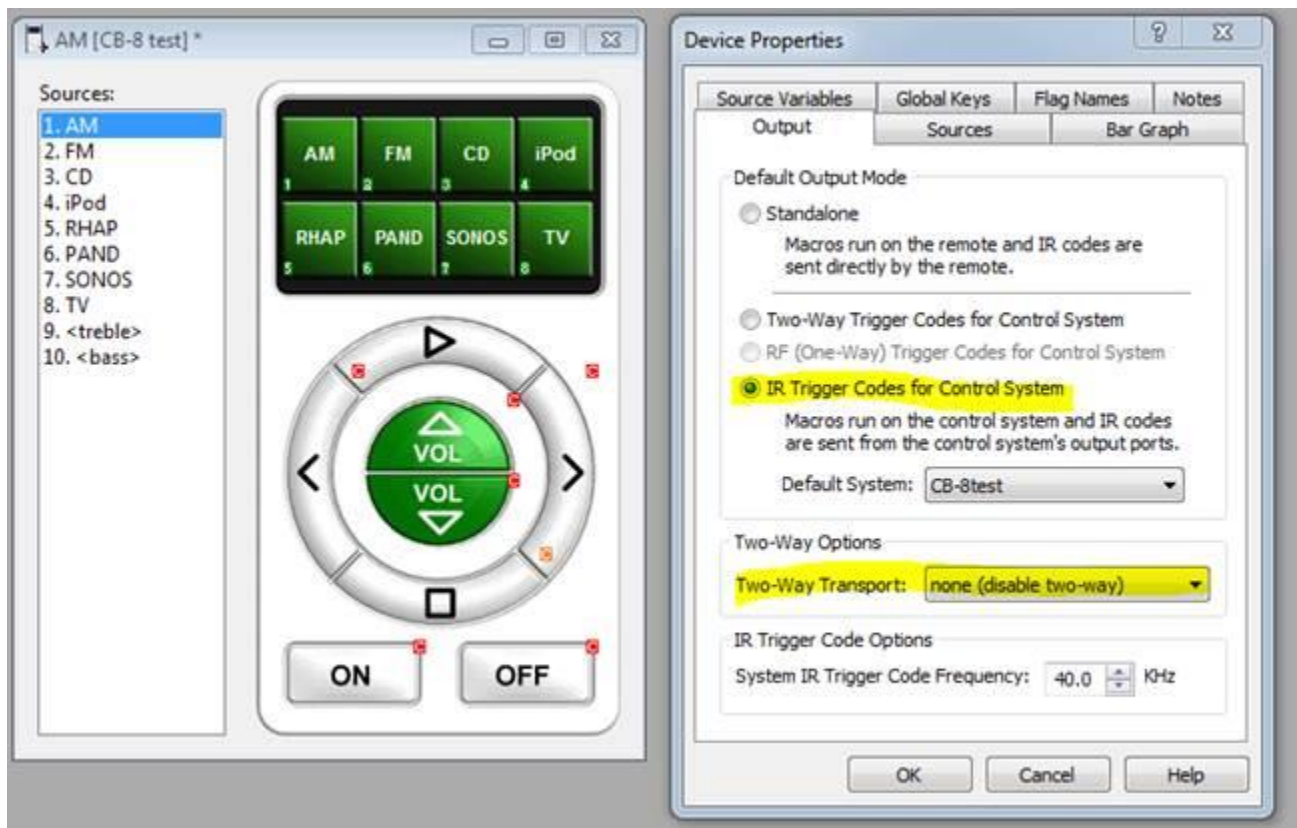
To allow communications from an Rk1 or RMK1 keypads to the XP-3, the output pins from the control port Cat5 connector need to be wired properly to the sense input / Ground connectors on the terminal. This can be done by splicing a standard Cat5 cable and wiring the proper connectors from Pin(s) 3, 6 for IR to the Sense input and Pin(s) 7, 8 to the Ground input on the phoenix terminal.



For the XP-3 to recognize commands on the sense input, the enable option will need to be selected on the General tab of the XP-3 properties:



For the programming on the keypads to send properly, the output method will need to be set to "IR trigger codes for Control System":



When utilizing a CB-8 for multiple keypads, the standard Cat5 connection would be connected from the Control Port on the keypad to the input(s) on the connecting block, with the Wiring to the Sense port terminal on the processor from the Output port.

- Note: Keep in mind this is for one way communications only and it is not recommended to use the sense input on the XP-3 for Keypads or RF communications, as it may limit the intended available resources and functionality (processing, Macro Engines, etc.)

For KX2 or RK2 keypads, the RS-485 pins (*RS-485+ is needed, although RS-485- can also be bundled in as there is no 2 way communication anyway*) need to replace the IR pins in this setup. Then the output mode needs to be **2 way trigger codes for control system** with the **two-way transport set to rs-485**. Also note that this is still only a one-way connection. The Sense In port on the processor has no way of transmitting anything.