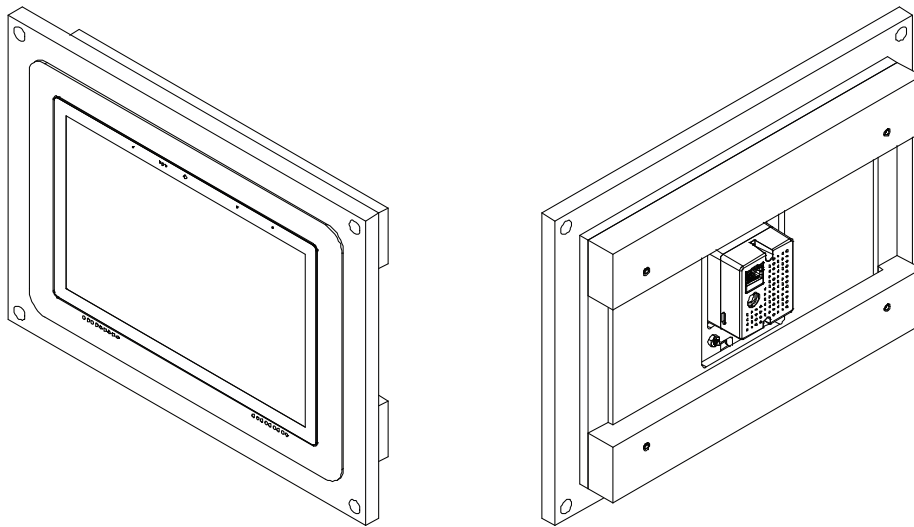


# IST-10-FMK

## IST-10 Flush Mount Kit

### Reference Guide



IST-10-FMK is an adapter for in-wall flush installation of an RTI IST-10 Touchpanel. IST-10-FMK firmly mounts the IST-10 touchpanel while allowing easy access, insertion and operation.

## Key Features

- Flush with the wall.
- Paintable in any color and texture.
- Includes depth calibration mechanism.
- Allows easy insertion and removal of the touch screen.
- The adapter is supplied unpainted (To be painted after installation as part of the wall).
- Designed to be installed in ½" drywall.

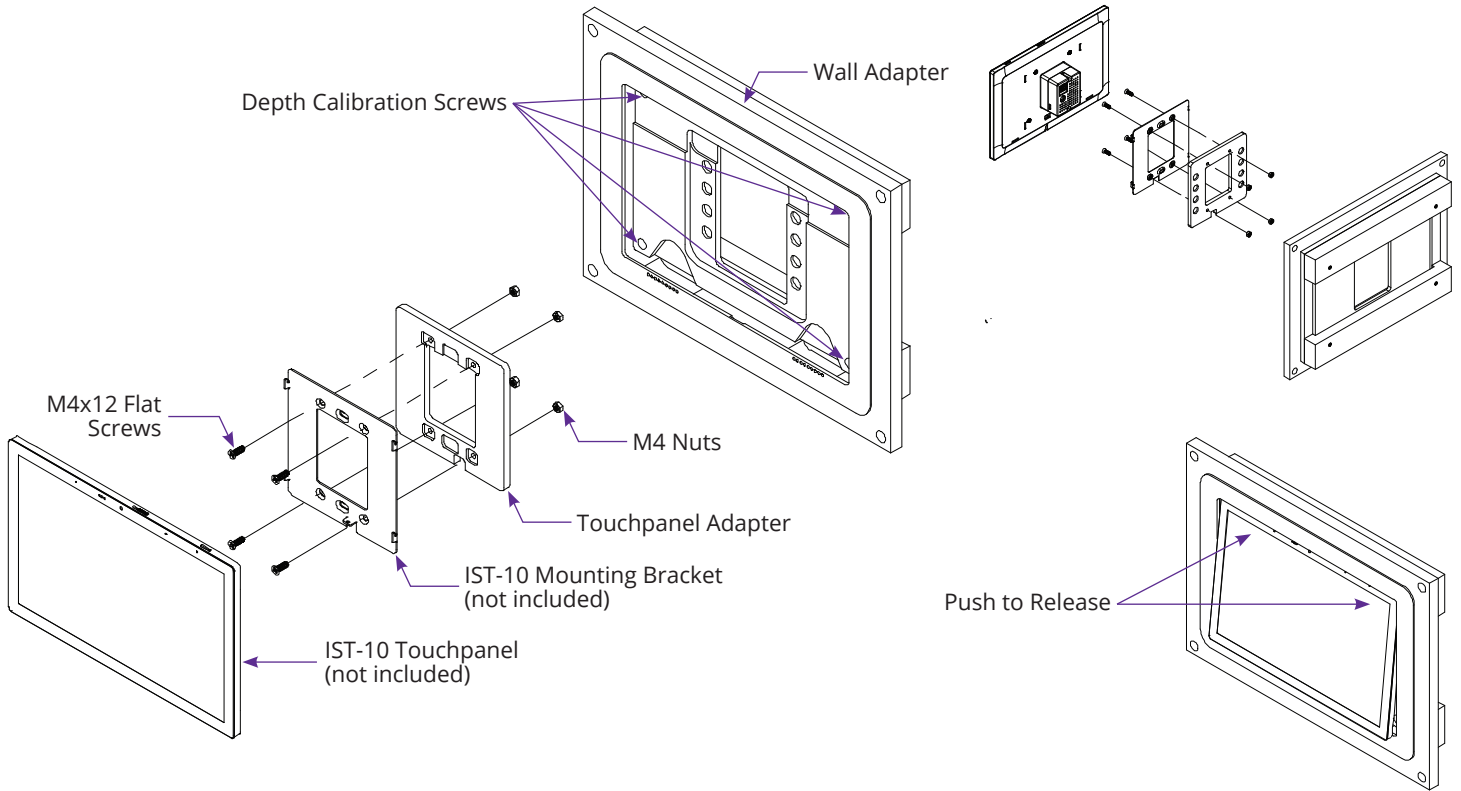
## Product Contents

- IST-10-FMK Flush Mount Kit
- M4x12 Flat screws (4)
- M4 nuts (4)
- Touchpanel adapter

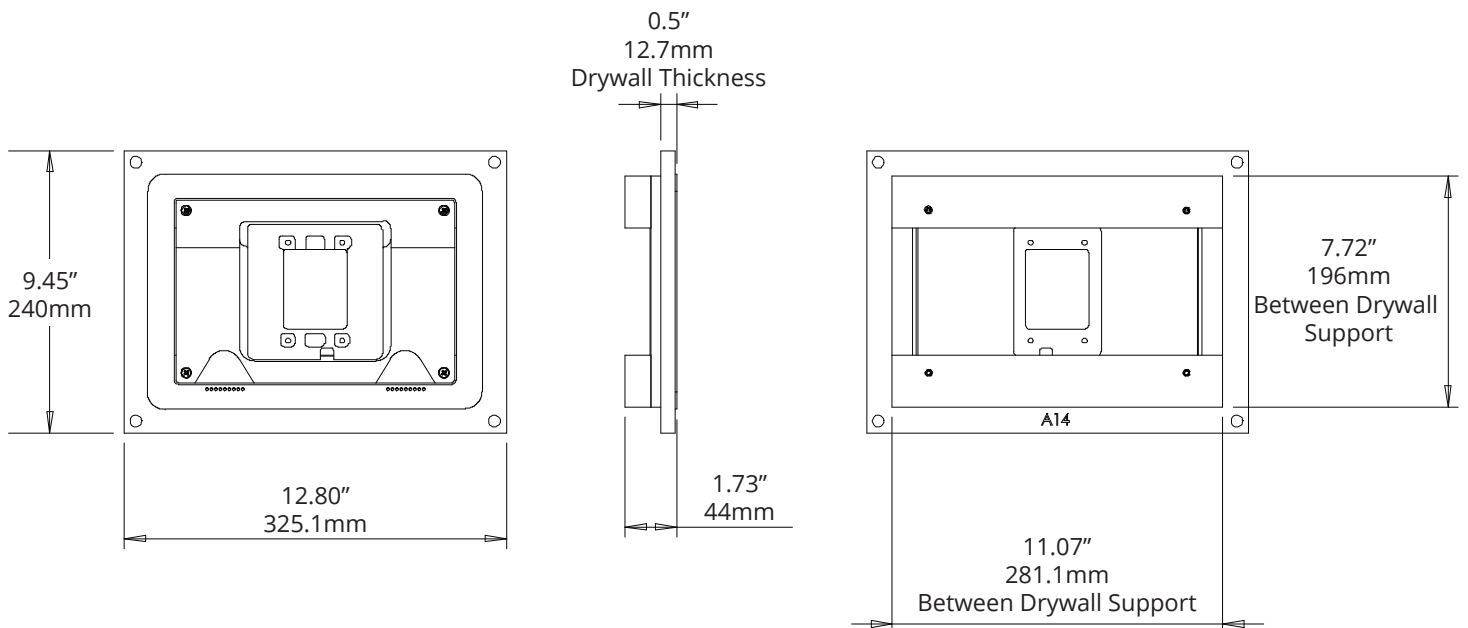
## Specifications

- Dimensions (W/H/D): 325.1mm (12.80") / 240mm (9.45") / 44mm (1.73").
- Weight: 0.7Kg, 1.54lbs.
- Material: Moisture resistant MDF (compliant with TSCA Title VI).
- To be installed in ½" drywall .

## Overview



## Dimensions



## Prerequisites

### General

- Installs and finishes are in the same manner as drywall.
- It is recommended to be installed by a drywall specialist.
- The IST-10-FMK is designed for installation in ½" (12.7mm) thick clad constructions. Shimming may be required if adjacent material is not ½" drywall.

### Safety

- Use a dust mask to avoid getting dust particles in your lungs.
- Wear eye protection to avoid getting dust particles in your eyes.
- Turn off the power in areas you'll be drilling to avoid electric shock.
- Use plastic or canvas drop cloths to prevent the sanding dust from damaging nearby furniture or spreading beyond your immediate work area.

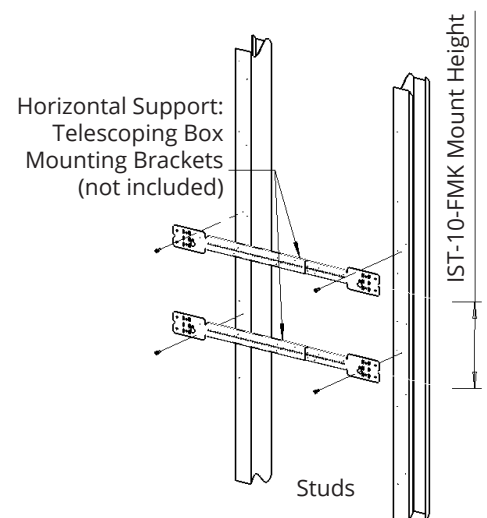
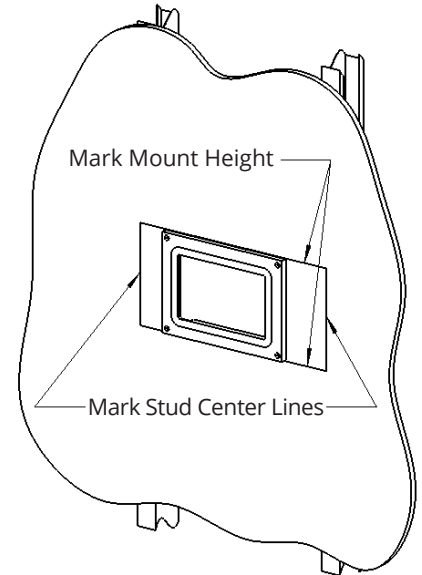
### Installation Tools and Materials

- |                         |                                 |
|-------------------------|---------------------------------|
| • Safety goggles        | • Drywall T-square              |
| • Dust mask             | • Taping or joint knife         |
| • Screwdriver           | • Sandpaper                     |
| • Measuring tape        | • Pole Sander                   |
| • Utility knife/saw     | • #6 bugle head screws          |
| • Leveler               | • Setting-type compound         |
| • Brush / sponge roller | • Drywall mud or joint compound |
| • Pencil                | • Drywall Paper tape            |
| • Spatula               | • Paint                         |
| • Spackle tray          | • Drywall                       |
| • Coarse Rasp           |                                 |

## Installation Procedure

### Step 1: Cut and Place

- Determine where the IST-10-FMK will be located.
- The IST-10-FMK needs to be mounted between two studs.
- When performing a retrofit work:
  - » Use a stud finder to locate the studs (We suggest you use a high-quality stud finder that can detect studs, AC cables, and water pipes so that you can avoid these in-wall obstacles). Drill a pilot hole in the middle of the favorable installation position. Shut off power in the area of the drilling. Use caution when drilling, not to plunge into a pipe or electrical conduit. Next, insert a sturdy wire (such as a bent coat hanger) into the pilot hole, and explore the surrounding area, making sure there are no obstacles and there's enough room for the mount.
  - » Mark using the mount, a level and a pencil the top and bottom horizontal edges of the mount on the drywall. Continue each line end to the closest stud center.
  - » Cut the drywall according to the top and bottom marked lines and stud centers using a utility knife or a saw.
  - » Chamfer the rim of the opening using a Coarse Rasp.
- Rout adequate cabling to the installation point (in accordance with your local electric regulations).
- The IST-10-FMK needs to fit between two studs and to be installed on two horizontal supports secured to the studs. It is preferable to install the mount on two horizontal supports and at least one stud. A good choice for horizontal supports are telescoping box mounting brackets installed on stud faces without bending their fixing plates. Horizontal supports may be made on site of drywall U tracks. When performing a retrofit work, insert the horizontal supports half way under the top and bottom drywall edges of the opening.

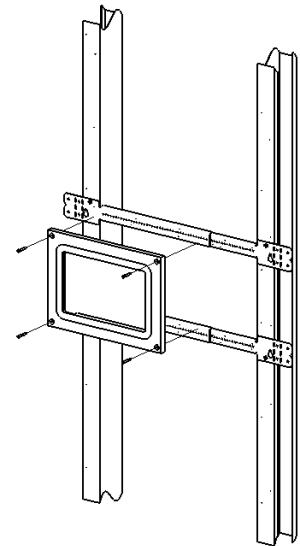


- Fit the IST-10-FMK into the opening and ensuring it is positioned square.

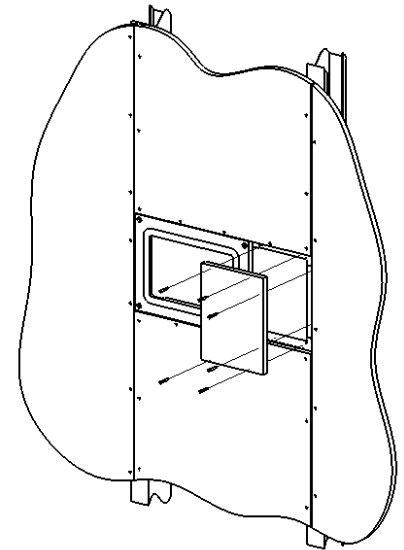
**Important Note:** Pay attention to the UP/DOWN orientation of the wall adapter according to arrow marked on the back side of the adapter.

- Fix IST-10-FMK through the holes located on its perimeter using #6 bugle head screws.

**Good Practice:** Apply construction adhesive between wall mount and supports.



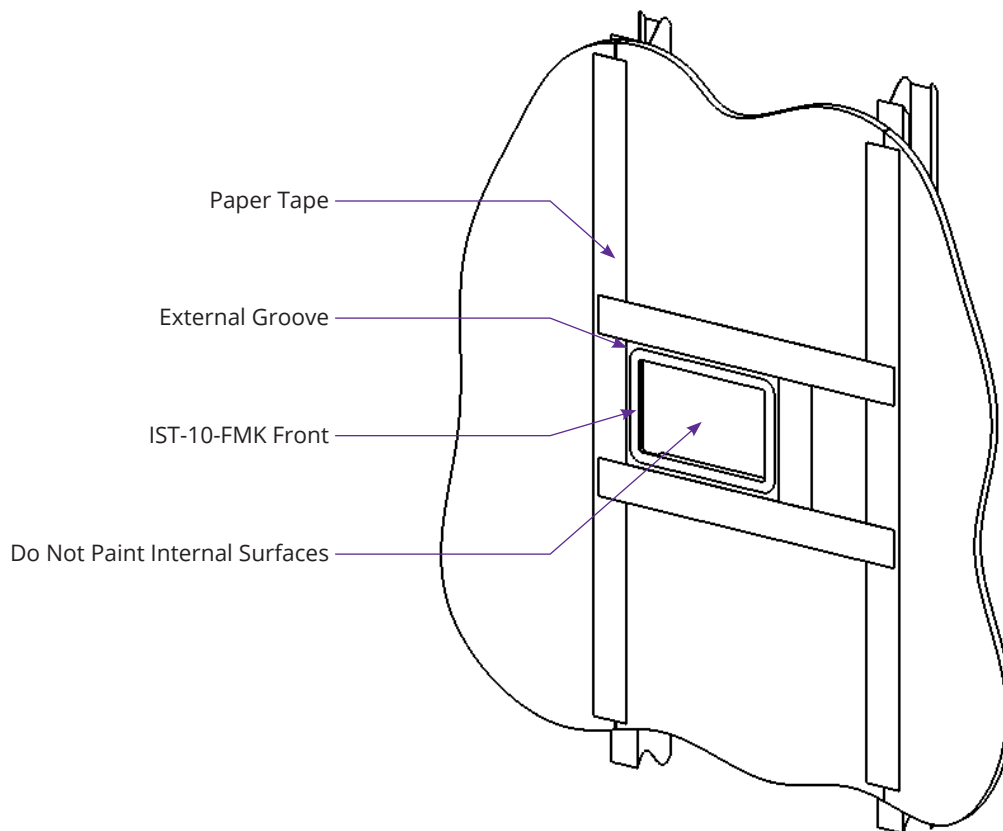
- Cut appropriate drywall pieces and plug voids on the mount sides. Where the panels meet, cut a V-groove into the short untapered ends with a utility knife, as this will make hiding the joint easier when you're taping.
- Secure all drywall edges to the studs and the horizontal supports.



## Step 2: Mud and Tape

- Ensure that the front surface of the mount is aligned with the drywall and that all of the screws are flush with surface of the drywall.
- Before applying tape, fill gaps with setting-type compound.
- Perform standard mud and tape drywall joining procedure. Mud & tape drywall joining procedure depends on local materials available and local climate. However, best practice would be as follows:
  - » Apply setting-type compound to gaps between adapter and drywall.
  - » Apply fine premixed drywall joint compound and drywall paper tape.

- » Let the setting-type compound and joint compound + paper tapes to dry over night.
  - » Apply 1st drywall joint compound layer and let dry over night.
  - » Sand to reveille front wall mount surface.
  - » Apply 2nd drywall joint compound layer and let dry over night.
  - » Sand to reveille front wall mount surface. In some cases as 3rd drywall joint compound layer is required.
- Do not apply drywall compound to front surface.
  - Apply drywall compound to external groove only.
  - Sand excess drywall compound to reveille front wall mount surface.



### Step 3: Painting

- Do not paint internal surfaces!
- Paint and painting procedure are in the same manner as drywall painting.
- Paint the number of coats necessary to achieve the desired coverage and texture.

**Good Practice:** In case of any finish imperfections found around the installed wall mount (after paint), you may apply some acrylic wall putty, gently sand and paint again.

## Contacting RTI

For news about the latest updates, new product information, and new accessories, please visit our web site at: [www.rticontrol.com](http://www.rticontrol.com)

For general information, you can contact RTI at:

Remote Technologies Incorporated  
5775 12th Ave. E Suite 180  
Shakopee, MN 55379  
Tel. +1 (952) 253-3100  
[info@rticontrol.com](mailto:info@rticontrol.com)

## Service & Support

If you are encountering any problems or have a question about your RTI product, please contact RTI Technical Support for assistance (see the Contacting RTI section of this guide for contact details).

RTI provides technical support by telephone or e-mail. For the highest quality service, please have the following information ready:

- Your Name
- Company Name
- Telephone Number
- E-mail Address
- Product model and serial number (if applicable)

If you are having a problem with hardware, please note the equipment in your system, a description of the problem, and any troubleshooting you have already tried.

**\*Please do not return products to RTI without return authorization.\***

## Declaration of Conformity (DoC)

The Declaration of Conformity for this product can be found on the RTI website at: [www.rticontrol.com/declaration-of-conformity](http://www.rticontrol.com/declaration-of-conformity)

## Limited Warranty

RTI warrants new products for a period of three (3) years (excluding consumables such as rechargeable batteries which are warranted for one (1) year) from the date of purchase by the original purchaser (end user) directly from RTI / Pro Control (herein referred to as "RTI"), or an authorized RTI dealer.

Warranty claims may be initiated by an authorized RTI dealer using the original dated sales receipt or other proof of warranty coverage. In the absence of the receipt of purchase from the original dealer, RTI will provide warranty coverage extension of six (6) months from the date code of the product. Note: RTI warranty is limited to the provisions set forth in this policy and does not preclude any other warranties offered by third parties who are solely responsible for those other warranties.

Except as specified below, this warranty covers defects in product material and workmanship. The following are not covered by the warranty:

- Product purchased via unauthorized sellers or internet sites will not be serviced- regardless of purchase date.
- Damages caused by accident, misuse, abuse, neglect or acts of God.
- Cosmetic damage, including, but not limited to, scratches, dents and normal wear and tear.
- Failure to follow instructions contained in the Product Installation Guide.
- Damages due to products used in an application or environment other than that for which it was intended, improper installation procedures or adverse environmental factors such as incorrect line voltages, improper wiring, or insufficient ventilation.
- Repair or attempted repair by anyone other than RTI and Pro Control or authorized service partners.
- Failure to perform recommended periodic maintenance.
- Causes other than product defects, including lack of skill, competence or experience of user.
- Damage due to shipment of this product (claims must be made to the carrier).
- Altered unit or altered serial number: defaced, modified or removed.

RTI Control is also not liable for:

- Damages caused by its products or for failure of its products to perform, including any labor costs, lost profits, lost savings, incidental damages, or consequential damages.
- Damages based upon inconvenience, loss of use of the product, loss of time, interrupted operation, commercial loss, any claim made by a third party or made on behalf of a third party.
- Loss of, or damage to, data, computer systems or computer programs.

RTI's liability for any defective product is limited to repair or replacement of the product, at the sole discretion of RTI. In cases where the warranty policy conflicts with local laws, the local laws will be adopted.

## Disclaimer

All rights are reserved. No part of this document may be photocopied, reproduced, or translated without the prior written notice of Remote Technologies Incorporated.

The information contained in this document is subject to change without notice. Remote Technologies Incorporated shall not be liable for errors or omissions contained herein or for consequential damages in connection with the furnishing, performance, or use of this guide.

Integration Designer, and the RTI logo are registered trademarks of Remote Technologies Incorporated. Other brands and their products are trademarks or registered trademarks of their respective holders.



Remote Technologies Incorporated  
5775 12th Avenue East, Suite 180  
Shakopee, MN 55379  
Tel: 952-253-3100  
[www.rticontrol.com](http://www.rticontrol.com)