

IST-5 and IST-10 Mounting Options Guide

Our new range of IST touchpanels is designed to fit into US format wall boxes. Depending on the wall where the IST will be installed, you have the choice of using a dry wall low voltage bracket or a concrete/masonry box.

Below you'll find a guide to the mounting options for the various walls and the references for the according US format back box.

Product Contents

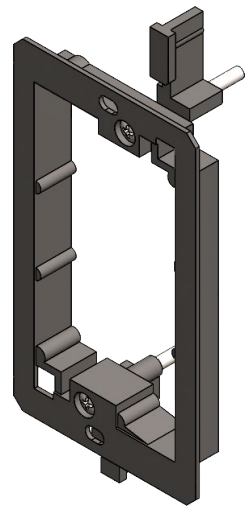
- IST-5 or IST-10
- Metal Wall Mounting Bracket
- Mounting Bracket Screws
- US Single Gang Low Voltage Mounting Bracket



IST-5 Metal Mounting Bracket (included)



IST-10 Metal Mounting Bracket (included)



Single Gang Low Voltage Bracket
(included)

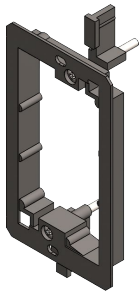
Mounting Bracket Installation

Mounting Bracket

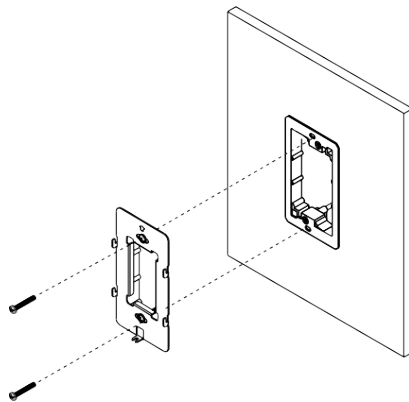
The IST-5 is designed to be mounted to a US standard single gang wall box or a single gang low voltage bracket.

The IST-10 is designed to be mounted to a US standard single or dual gang wall box or a single or dual gang low voltage bracket.

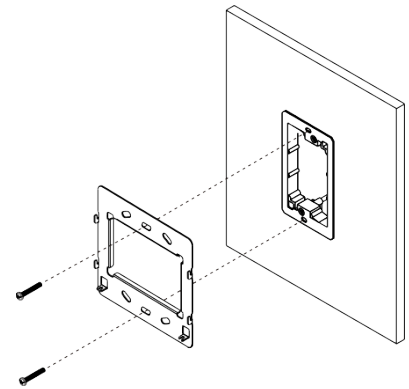
The IST mounting brackets are included in the box and should be attached to a single/dual gang wall box or a single/dual gang low voltage bracket with the supplied screws.



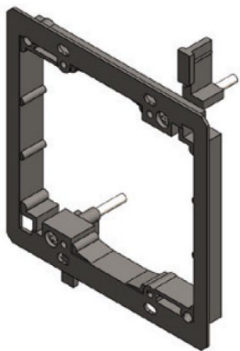
Single Gang Low Voltage Bracket (included)



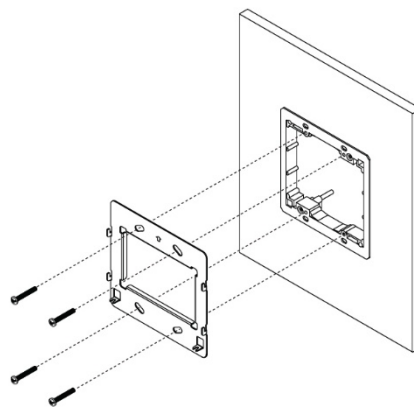
IST-5 Mounting Bracket (included)



IST-10 Mounting Bracket (included)



Double Gang Low Voltage Bracket (not included)



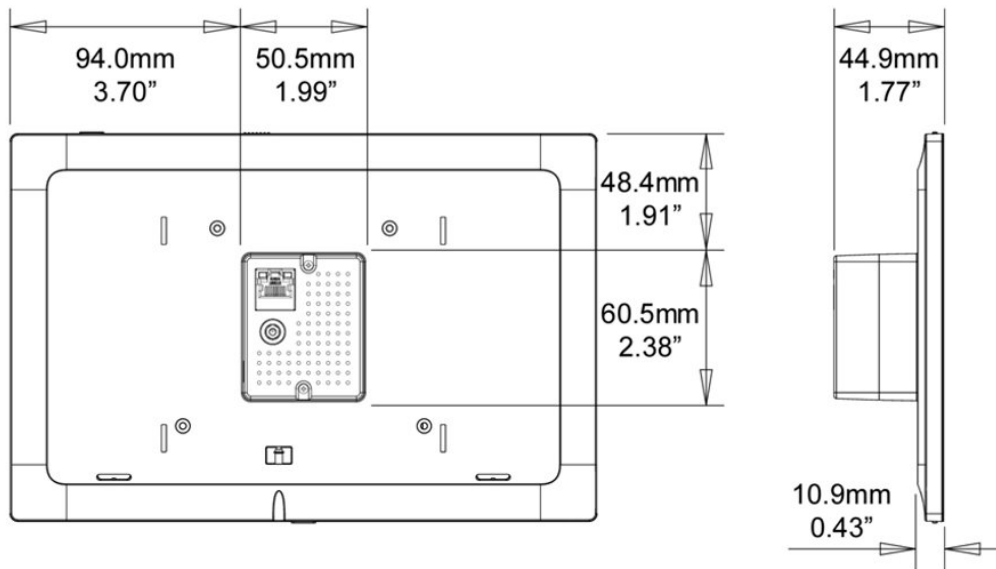
IST-10 Mounting Bracket (included)

IST Touchpanel Dimensions

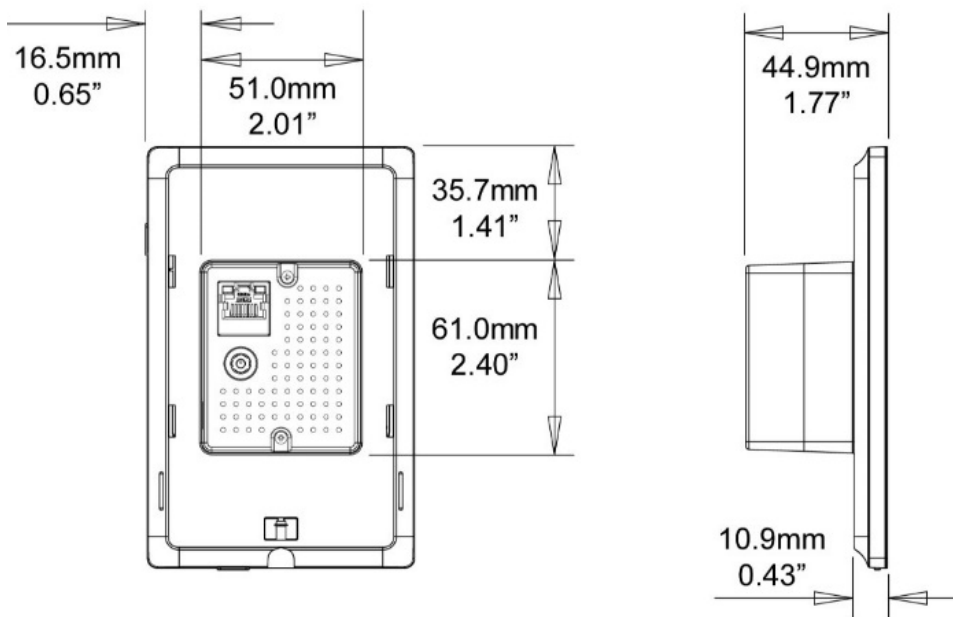
Mechanical Dimensions

When selecting a construction bracket or back box, be sure to consider the size of each touchpanel's component housing. Dimensions and location for each are shown below.

IST-10



IST-5



Drywall Installation

Low Voltage Bracket Models

Depending on the thickness of the wall or overall depth there are multiple low voltage brackets that can work. We recommend using a bracket with a minimum opening of 52mm (2.05") A single gang bracket is included with each touchpanel.

Concrete / Masonry Wall Installation

Masonry boxes are not included with either the IST-5 or IST-10.

IST-5

The IST-5 can be mounted to a US single gang box like the Southwire Old Work 16.5 cu in Rectangle Galvanized Steel Electrical Box shown below. The single Gang Carlon B118A is another option.

IST-10

The IST-10 can be mounted to many US single gang and most dual gang masonry boxes.

Important

If using self-terminating cable, the box should have a depth of at least 55mm (2.17"). If using an off-the-shelf pre-terminated cable, allow for an additional 10mm depth.

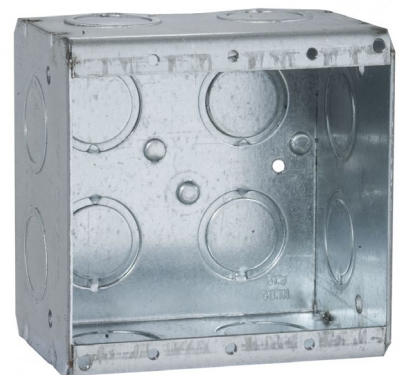
Not all single gang boxes are the same width. For example, the single gang Raco 690 masonry box is slightly too narrow for both the IST-5 and the IST-10. Be sure to measure your box width and depth.



Single Gang Southwire



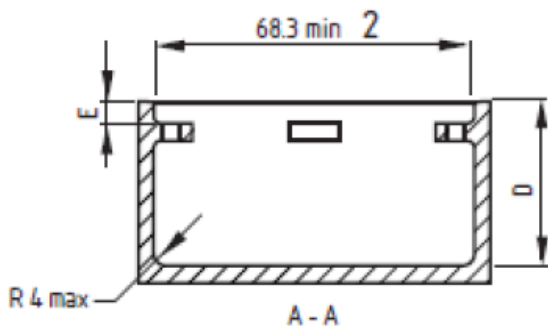
Single Gang Carlon B118A



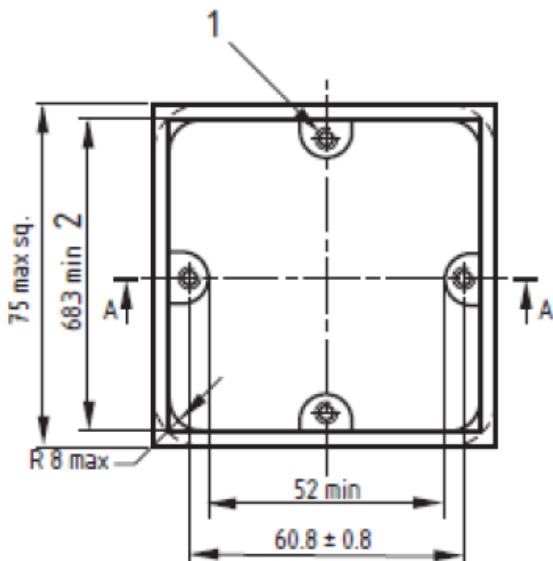
Dual Gang Raco 691

For countries which do not follow the US standards for electrical wall boxes, there is also an alternative mounting bracket provided. This bracket covers for countries utilizing the British Standard 4662 such as:

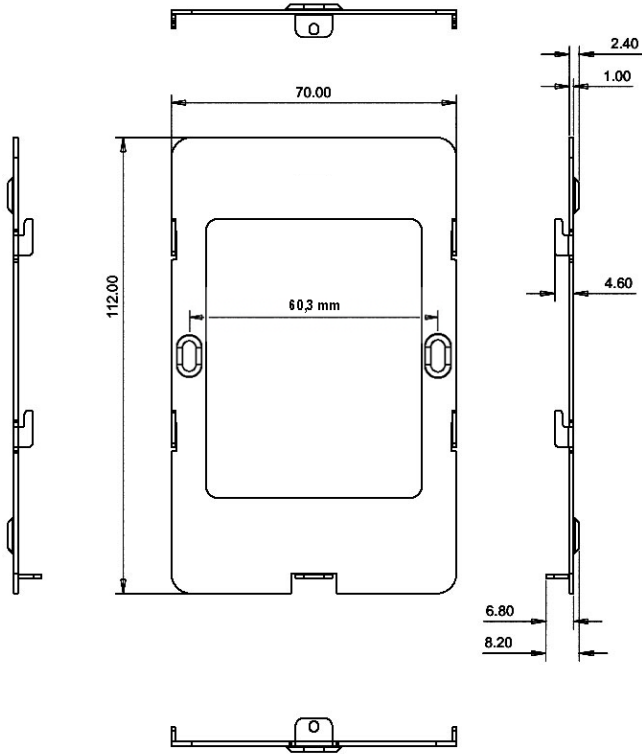
- UK
- India
- Asia
- Middle East
- South Africa



D= 35 mm (standard)
D= 25 mm (UK only)



For these countries, please use the following bracket for the IST-5:



Or this one for the IST-10:

