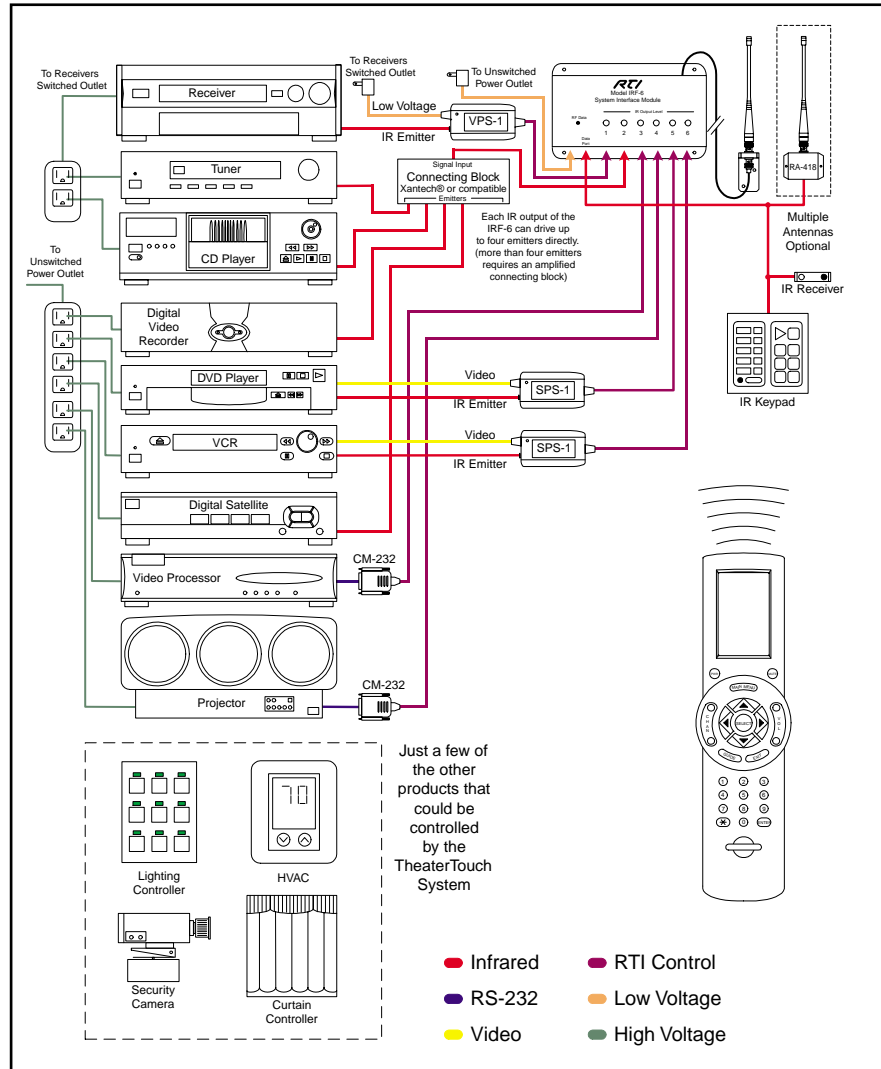


TheaterTouch™ System

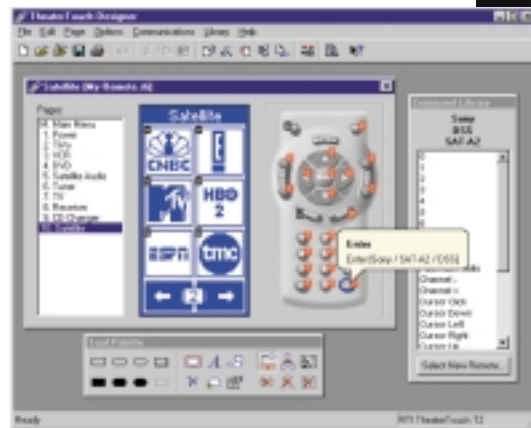
TYPICAL APPLICATION



TheaterTouch™ System

PROGRAMMING TOOLS

TheaterTouch includes a powerful Windows® Software package for programming.



RTI

TheaterTouch™ System

REMOTE TECHNOLOGIES INCORPORATED

Remote Technologies Incorporated
 18681 Lake Drive East • Chanhassen, MN 55317 • 612-253-3100 • FAX 612-253-3131 • info@rticorp.com

A Complete System in the Palm of Your Hand

IT'S UNDER CONTROL

RTI's TheaterTouch System provides an amazing level of control. Never before has so much power and flexibility been designed into such an affordable, user-friendly package.

TheaterTouch is more than just a universal remote control, it is a complete control system. The system is capable of infrared and radio frequency transmission, power sensing for reliable operation, and RS-232 communications for advanced control.

The TheaterTouch System can be installed in any size home theater, and is compatible with most electronic and home automation devices. RTI's proven, industry pioneering control system technology is the benchmark for user-friendly home theater and A/V control. Quite simply - total control now fits in the palm of your hand.

MULTIPLE COMPONENTS. ONE POWERFUL SYSTEM.

Modular in design, TheaterTouch can be used as a stand-alone universal remote control for less demanding situations, or it can have all components fully integrated together to form the first, and only, complete control system that is truly affordable for any home theater installation.

- The T2 Universal System Controller combines the power and flexibility of a graphical LCD touchscreen with a sleek, perfectly balanced design. On its own, the T2 is the most user-friendly universal remote control you have ever used. Combined with the other TheaterTouch components, the T2 becomes the foundation of a very powerful, yet uncomplicated home theater control system.
- The IRF-6 System Interface Module is easily integrated into the system, and adds the functions of a six-zone IR router, IR connecting block, RF receiver, and multi-purpose communication ports.
- The CM-232 Communication Module makes it possible to control RS-232 enabled devices through the IRF-6 System Interface Module.
- The SPS-1 Video Sync Power Sensor monitors the true 'on' and 'off' status of nearly any video component connected to the system. The SPS-1 detects the presence or absence of a video signal's vertical sync pulse, and communicates that information back to the IRF-6 System Interface Module.
- The VPS-1 Voltage Power Sensor monitors the true 'on' and 'off' status of nearly any electronic component. The VPS-1 detects the presence or absence of any AC or DC voltage, and communicates that information back to the IRF-6 System Interface Module.

CUSTOMER SUPPORT

The TheaterTouch System is covered by a one-year warranty. General information and technical support can be obtained by calling RTI at (612) 253-3100, or by e-mailing RTI at info@rticorp.com.



Model T2

- Ergonomic design permits effortless, one-handed operation
- Any button can be programmed to transmit one or more commands
- RF capabilities allow transmission through walls and cabinets



Model IRF-6

- Six multi-purpose output ports
- One IR Data input port
- Remote antenna with a 12-foot antenna lead for greater mounting flexibility and increased system reliability
- Variable IR output power on all ports



Model SPS-1

- Connects to the output ports of the IRF-6
- Detects the on/off status of almost any video component
- No power supply required—power is supplied by the IRF-6 output ports
- Built-in Jack for IR emitter



Model VPS-1

- Connects to the output ports of the IRF-6
- Detects the on/off status of almost any component
- No power supply required—power is supplied by the IRF-6 output ports
- Built-in Jack for IR emitter



Model CM-232

- Connects to the output ports of the IRF-6
- Allows the IRF-6 to send commands to almost any RS-232 enabled device
- User-definable output strings using TheaterTouch Designer software

TheaterTouch System