



VXT-LRT HDBaseT Transmitter



VXT-LRR HDBaseT Receiver

## RTI Control System



## VXT-LR

### Ultra-slim Long Reach HDBaseT Extender Set

The VXT-LR is a long reach HDBT video extender set which contains a VXT-LRT transmitter and a VXT-LRR receiver. Compliant with HDMI1.4 and HDCP2.2, it is capable of transmitting high-definition video signals up to 4K@60Hz.

Designed with support for HDBT2.0 enables 100m (max) 4K transmission and 150m 1080p transmission as well as RS-232 and IR control signals via single Cat5e/Cat6 cable. The VXT-LR set also boasts 4 Ethernet ports to enable convenient network switch capability. Furthermore, the pair also support CEC and ARC, making the solution even more flexible.

## Key Features

- HDBaseT 4K extender set with ARC (Audio Return Channel) support and optical audio return.
- Extends HDMI video at 1080p resolution up to 492ft (150m) and 4K up to 328ft (100m).
- HDCP 2.2 Compliant, supporting HDMI 1.4.
- Support for high resolution video at 4K, and 1080p 3D.
- Support of HDBaseT 5-play with transmission of video, audio, Ethernet, Control signals and PoH (Power over HDBaseT).
- Supports CEC and ARC
- TOSLINK input on receiver for TV models without ARC-over-HDMI support.
- Switchable audio de-embed or ARC breakout on Transmitter.
- Multichannel audio supports PCM, Dolby Digital, DTS, DTS HD.
- Transmits RS-232 and IR control signals.
- Ethernet Passthrough from transmitter to receiver, providing a 3-port Ethernet Switch on the receiver.
- Two-way PoH enables either end to be powered for flexible installation options.
- Ultra-slim form factor allows for flexible mounting options e.g., behind a wall-mount TV.

# Specifications

## VXT-LRT Transmitter

Dimensions WxHxD..... 7.71in(196mm) x 0.75in(19mm) x 3.93in(100mm)  
 Weight ..... 0.65 lbs (294g)  
 Video Input ..... One HDMI  
 Control Signal Ports..... One, IR in, 3,5mm jack, One, IR out, 3,5mm jack  
 .....One, RS-232 bidirectional, 3-pin Phoenix Connector  
 Ethernet Input..... One, RJ45  
 Output (HDBaseT Transmission) ..... One, HDBaseT (PoH) (RJ45)  
 Audio Output..... One, Stereo Audio (2 x RCA)  
 ..... One, Digital Audio (S/PiF)

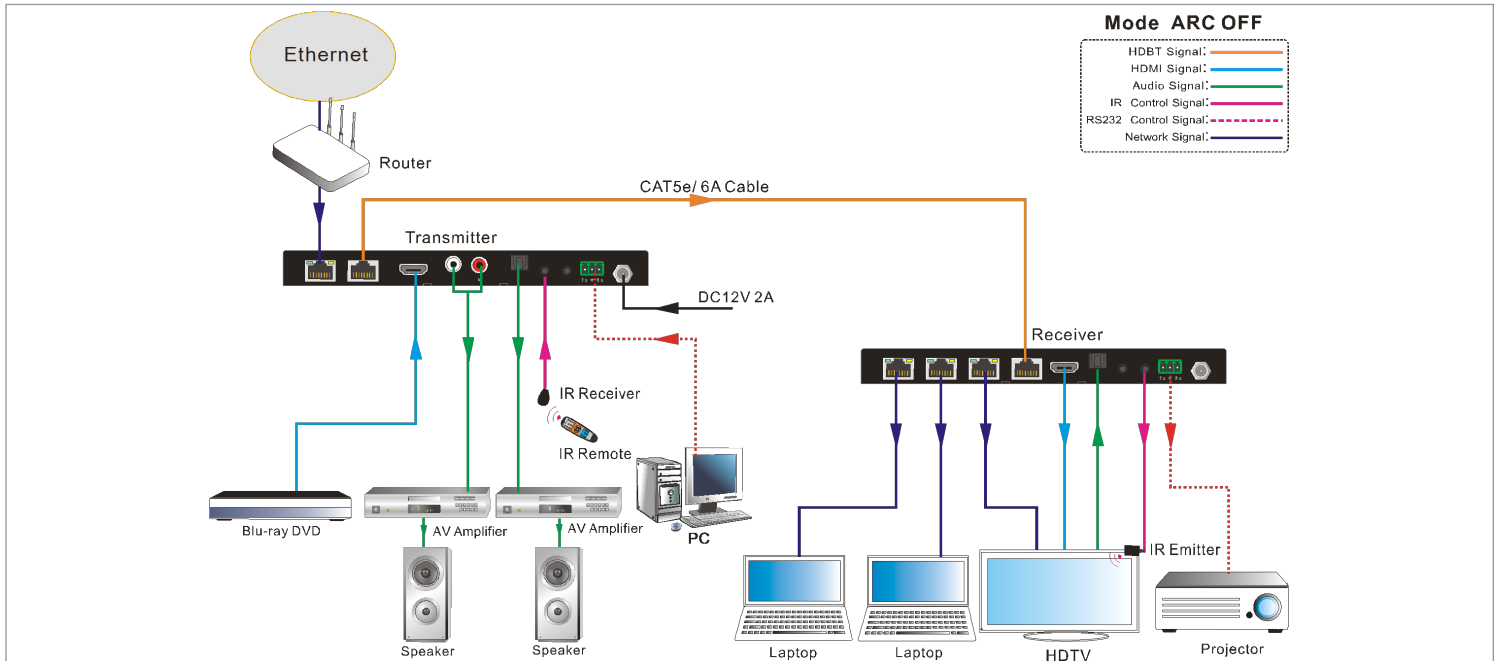
## VXT-LRR Receiver

Dimensions WxHxD..... 7.71in(196mm) x 0.75in(19mm) x 3.93in(100mm)  
 Weight ..... 0.74 lbs (335g)  
 Input (HDBaseT Transmission)..... One, HDBaseT (PoH) (RJ45)  
 Audio Input ..... One, Digital Audio (S/PiF)  
 ARC..... Over HDBaseT  
 Video Output..... One HDMI  
 Control Signal Ports..... One, IR in, 3,5mm jack, One, IR out, 3,5mm jack  
 .....One, RS-232 bidirectional, 3-pin Phoenix Connector  
 Ethernet Output..... Three, RJ45

## General

Power Supply (one included)..... 12VDC 2A or via Power over HDBaseT (PoH)  
 Mounting..... Surface / Wall mount  
 Operating Temperature ..... C 0 to +40 degrees F +32 to +104 degrees  
 Operating Humidity ..... 5% to 95% Non-condensing  
 HDBaseT Transmission Distance ..... 1080P≤492ft (150m)  
 ..... 4K≤328ft (100m)  
 Bandwidth..... 10.2Gbit/s  
 EDID Management..... Built-in EDID data and manual EDID management  
 Compliance ..... HDMI 1,4, 3D @1080p, HDCP 2.2, HDBaseT 2.0  
 Supported Video Resolutions ..... 4K: 4096x2160@30Hz, 3840x2160 (30Hz/24Hz/25Hz/50Hz/60Hz)  
 ..... 16:9: 1080P 3D, 1920x1080@60Hz, 1600x900@60Hz, 1366x768@60Hz, 1280x720@60Hz, 1024x576@60Hz  
 ..... 16:10: 1920x1200@60Hz, 1680x1050@60Hz, 1440x900@60Hz, 1360x768@60Hz, 1280x800@60Hz  
 ..... 4:3: 1600x1200@60Hz, 1400x1050@60Hz, 1280x1204@60Hz, 1024x768@60Hz, 800x600@60Hz, 640x480@60Hz  
 Audio Formats ..... PCM, Dolby Digital, DTS, DTS HD  
 Warranty..... Three Years (Parts & Labor)

All features and specifications subject to change without notice



**Remote Technologies Incorporated**  
 5775 12th Avenue East, Suite 180, Shakopee, MN 55379  
 PH: (952) 253-3100 • Website: www.rticorp.com

